

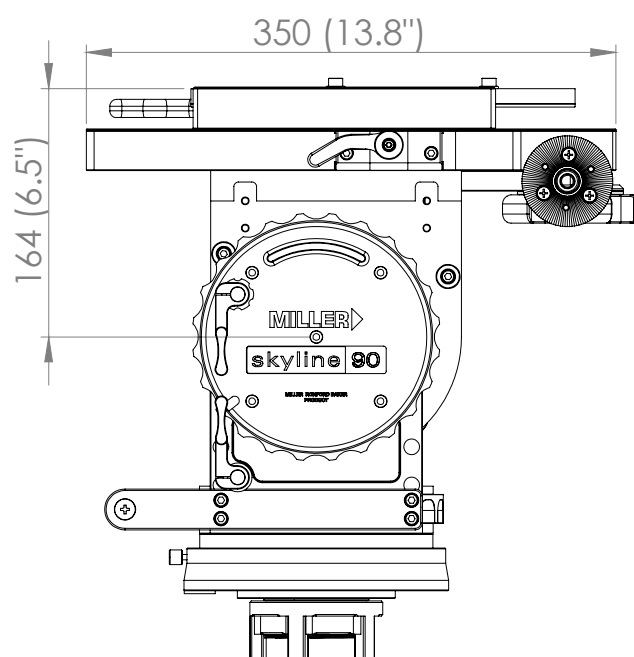
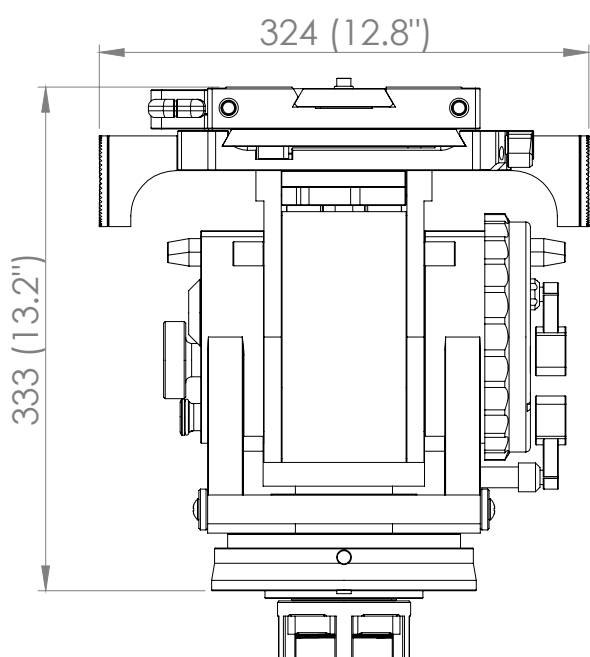


## FEATURES

- 15 selectable fluid pan-tilt drag positions + 0.
- Continuous counterbalance control knob for perfect counterbalance adjustment.
- Perfect for payloads up to 75kg (165lbs) at 30 cm above central tilt axis.
- Fluid drag system with smooth start and soft stop technology & balanced diagonal transition.
- Two bubble levels.
- Precise floating pan-tilt calliper locks ensure bounce free on-off performance..
- Quick release wedge plate for sturdy camera mounting (optional).
- Mitchell base for flat mounting.
- Robust all-alloy construction.
- Dual HD telescopic pan handles (optional).
- 3 year warranty.

\*Pictured with Wedge Plate Ass'y

For The Demanding Professional



## SKYLINE 90 FLUID HEAD

Weight:	23.0kg (50.7 lbs)
Payload range:	0 - 75.0kg (0 - 165.4 lbs) @ 300mm above pivotal centre
Pan/tilt drag:	15 selectable fluid drag positions + 0
Counterbalance:	Continuous adjustment (0 - 100%)
Pan/tilt lock:	Positive lock caliper brake system
Tilt range:	+60° / -60°
Pan range:	360°
Camera platform:	Quick release wedge plate
Sliding range:	300mm (11.8")
Mounting base:	Mitchell base with industry standard 4-hole flat base (3/8")
Height above base:	333mm (13.2")
Safety lock:	Quick release tilt lock pin
Illumination:	N/A
Pan handle:	2 x HD telescopic
Temperature range:	-40° to +65° C (-40° to +150° F)
Material:	Lightweight hi-strength billet aluminium alloy components
Finish:	Durable black ripple (low sheen) with anti-corrosive pre-treatment, anodised alloy components
Sealing:	Water and dust resistant
Warranty:	3 Years
Dimensions:	324 x 350 x 333mm (12.8 x 13.8 x 13.2")

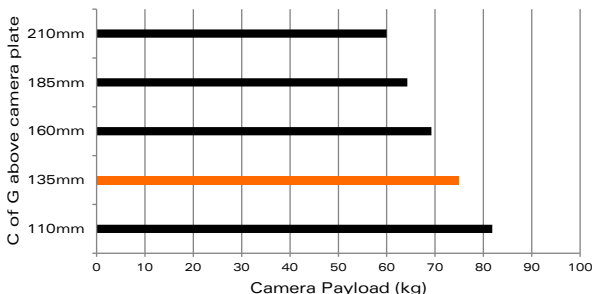
## OPTIONAL ACCESSORIES

3336	Wedge Plate Assy
3342	Tele Handle Rod / Clamp Ass'y S90
3346	Mitchell Centre Screw & Nut Ass'y
3348	Skyline 90 Head Case

## SPARES

TBC

Payload Range



### AUSTRALIA

Miller Camera Support Equipment  
30 Hotham Parade  
Artarmon, Sydney, NSW 2064  
Australia

Quality  
ISO 9001  
SAI GLOBAL

P +61 2 9439 6377 F +61 2 9438 2819  
sales@miller.com.au

### EUROPE

Miller Fluid Heads (Europe) Ltd.  
Unit 12A, Shepperton Business Park  
Govett Avenue, Shepperton  
Middlesex, TW17 8BA  
United Kingdom

P +44 (0) 1932 222 888 F +44 (0) 1932 222 211  
sales@millertripods-europe.com

### USA

Miller Camera Support LLC  
216 Little Falls Road (Unit 15 & 16),  
Cedar Grove, New Jersey 07009  
USA

P +1 (973) 857 8300 F +1 (973) 857 8188  
sales@millertripods.us